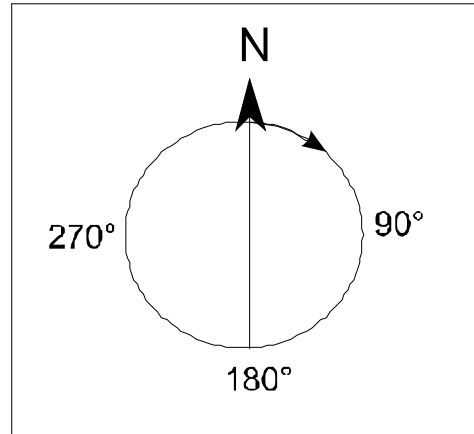


QUESTION 1

What is the attitude (strike, dip direction, angle of dip at clockwise measurement) of the exposed surface A : (3pt)

1.  $110^\circ - 20^\circ - 65^\circ$
2.  $340^\circ - 250^\circ - 65^\circ$
3.  $20^\circ - 110^\circ - 25^\circ$
4.  $170^\circ - 80^\circ - 25^\circ$
5.  $250^\circ - 340^\circ - 25^\circ$
6.  $110^\circ - 20^\circ - 65^\circ$
7.  $200^\circ - 290^\circ - 65^\circ$
8.  $20^\circ - 110^\circ - 65^\circ$
9.  $110^\circ - 200^\circ - 25^\circ$
10.  $200^\circ - 290^\circ - 25^\circ$



QUESTION 2

On the surfaces (A, B, C, D) what geological features can you identify (one or more answers may be correct): (0,5 points for each right answer)

1. wave ripple marks
2. groove casts
3. flute casts
4. tectonic lineation
5. stylolites
6. fossil traces
7. tool marks
8. fossil shells